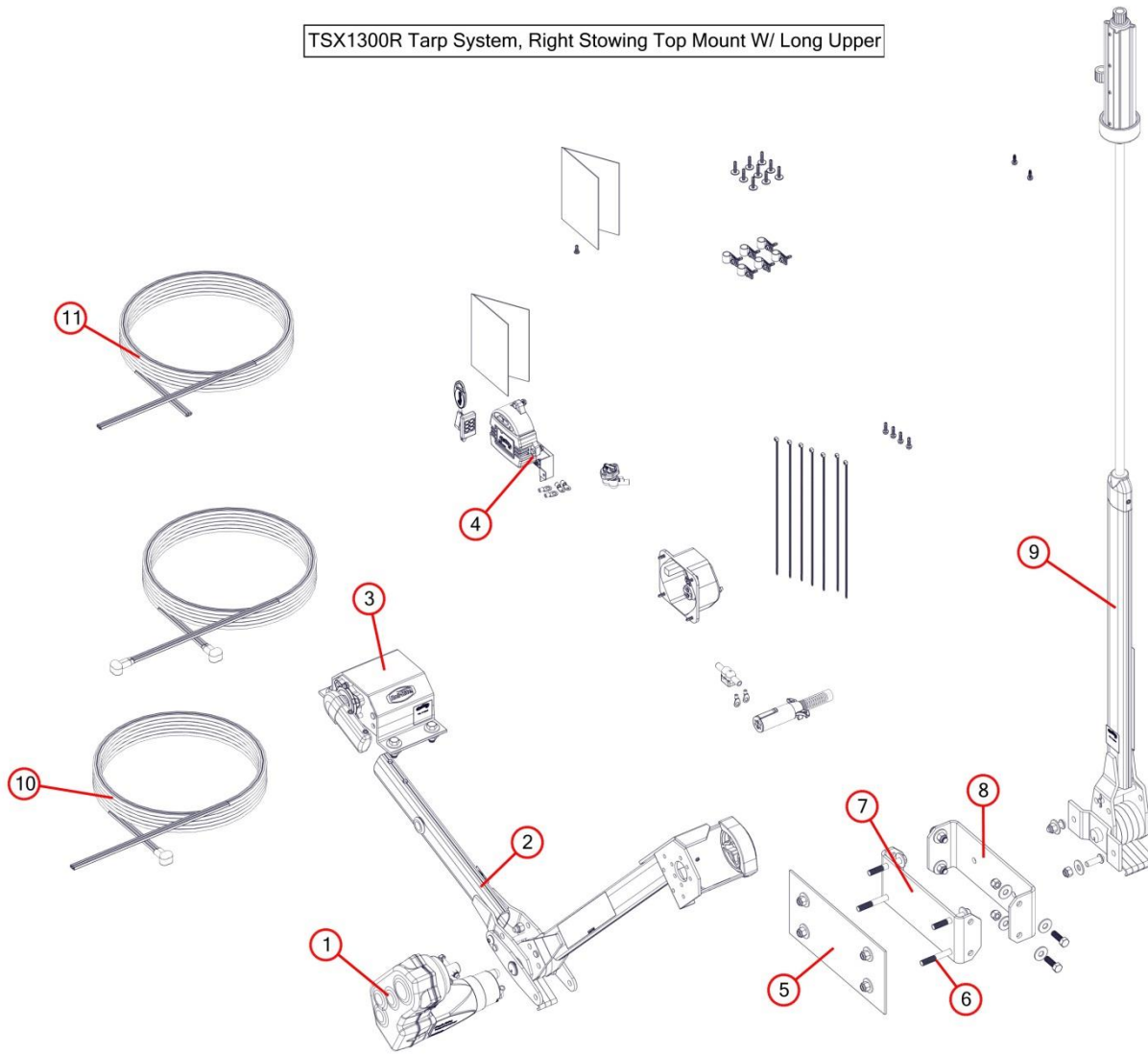
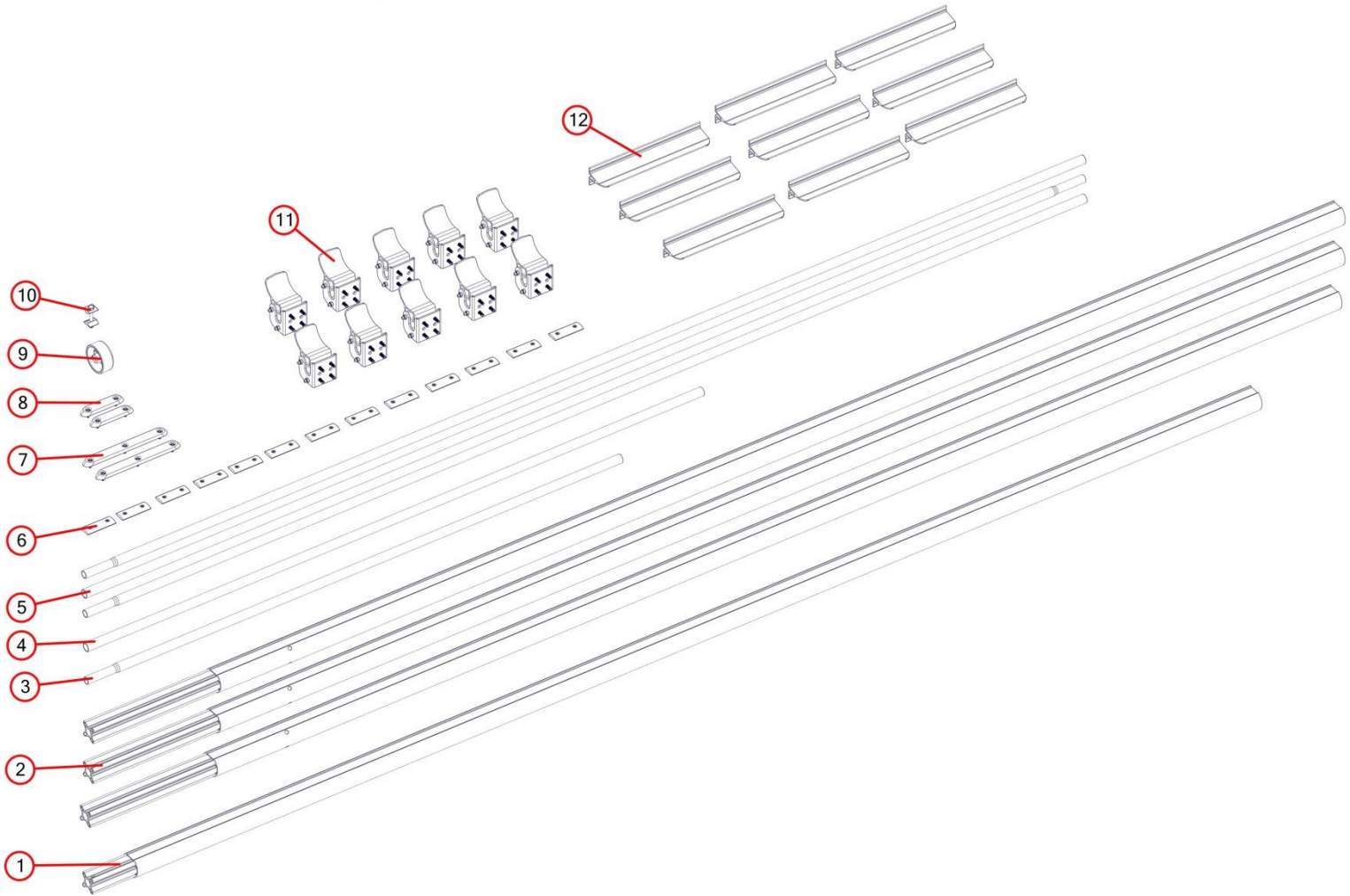


TSX1300R Tarp System, Right Stowing Top Mount W/ Long Upper



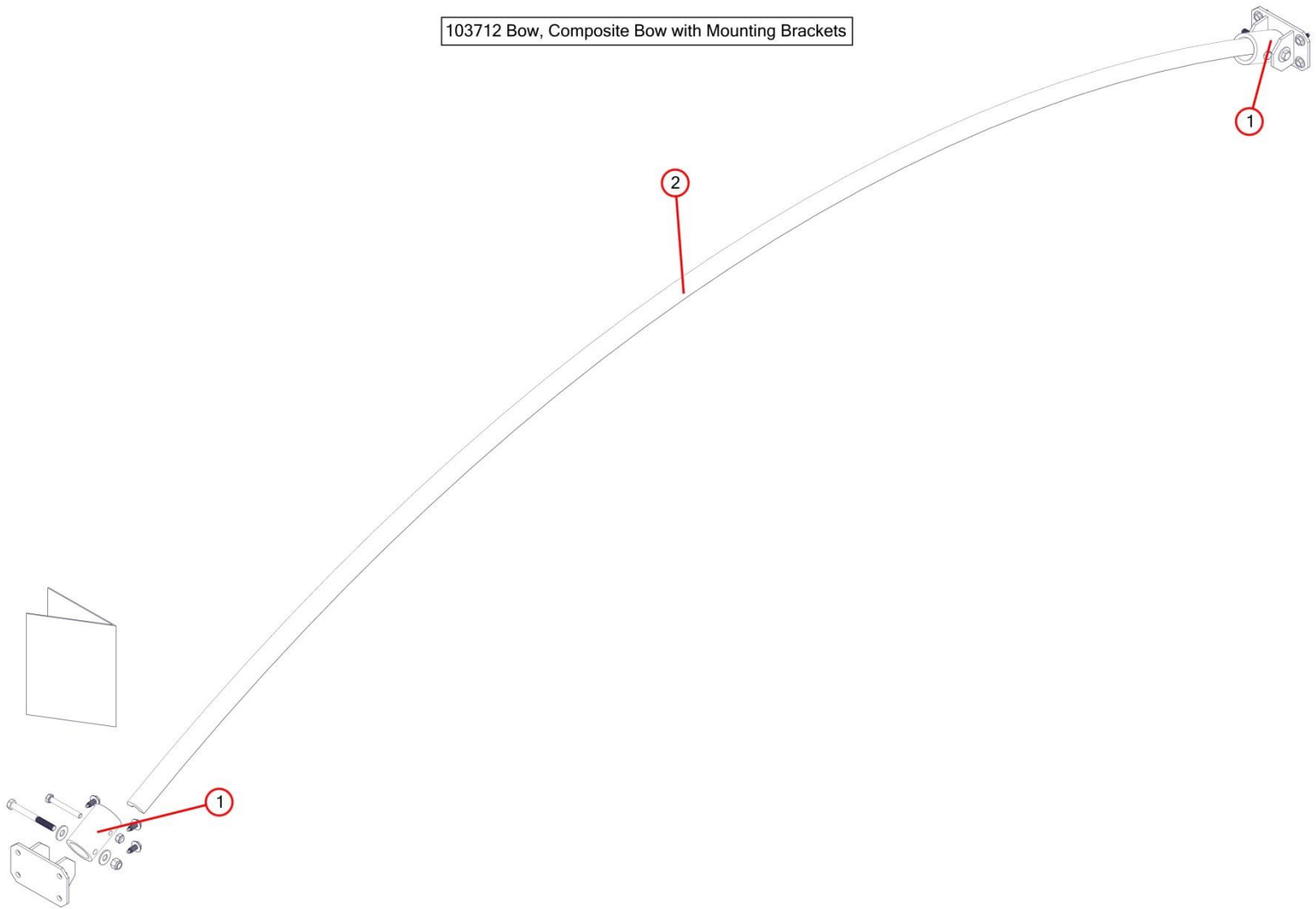
Bom ID	Part#	Description	qty
Ref	TSX1300R	Tarp System, Right Stowing Top Mount W/ Long Upper SN:TS	1
1	10210	Gear Motor, Tarp Stretcher w/5 Year Warranty 24V - S/N: TS	1
2	103810	Pivot, Assembled Front Arm for 103796 Power Kit Passenger Stowing	1
3	46480	Pivot, Assembly. 6-spr Top mnt pvt w/o Tube-Pass	1
4	102615	Electric Kit, Rite Touch With 6 gauge with TSCM and RF 24 volt	1
5	103815	Bracket, AL Plate for Multi-Flex Mount	1
6	102010	Bolt 1/2"-13x3 1/2" Hex Head	4
7	47277	Bracket, Inner Bracket for Multiflex	1
8	47278	Bracket, Outer Mounting Bracket for Multiflex	1
9	46506	Pivot, Assembled 5-Spring 3" Axle Rear Flex Arm Kit	1
10	103843	Wire, 34' Dual Conductor 8 ga Terminated w/Boots & Shrink tube on One end	1
11	100740	Wire, 8 Ga. Dual Conductor (foot)	1

102575 Axle Kit, 3" w/Out Ridge Pole for 41' - 48' Trailers



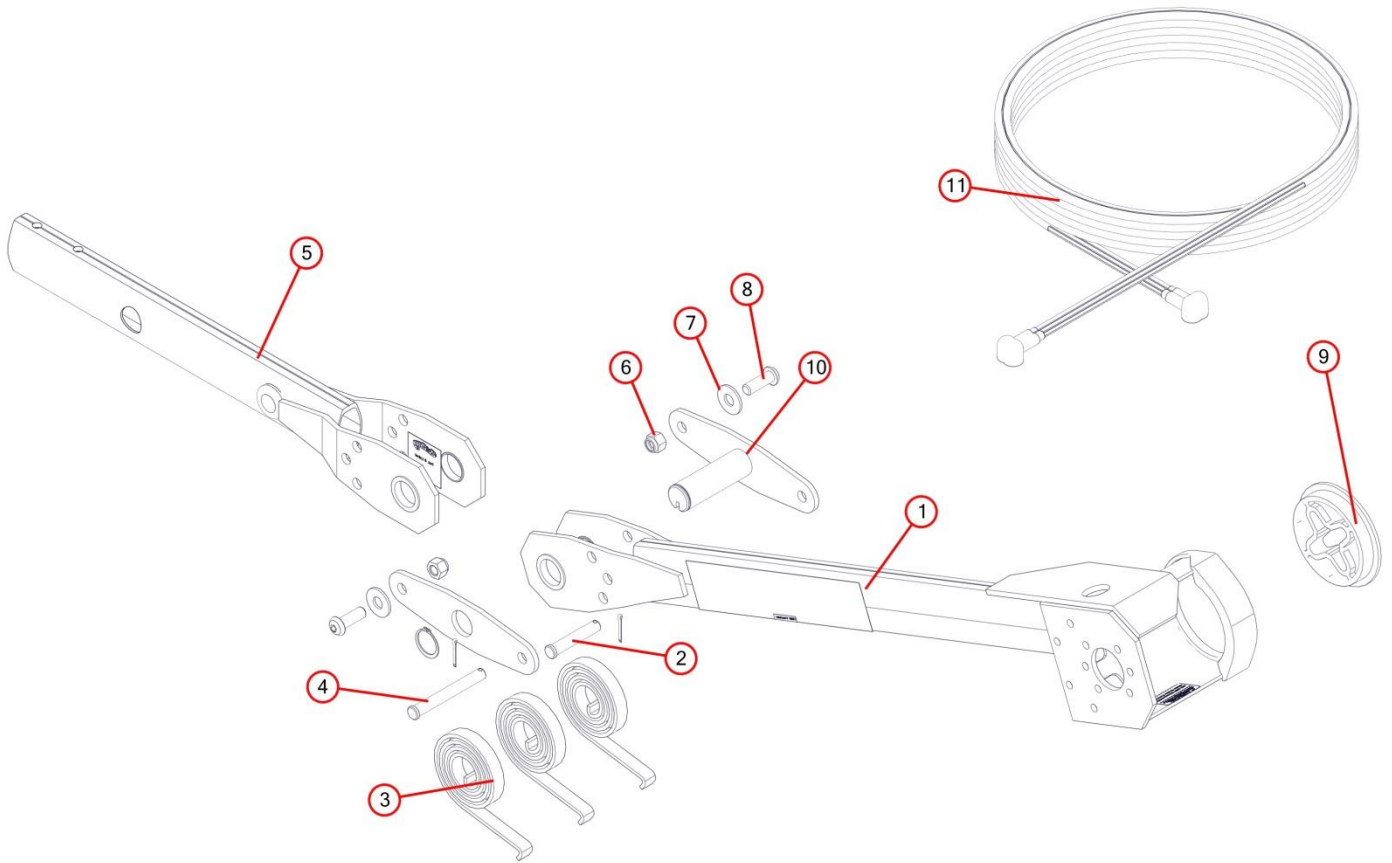
Bom ID	Part#	Description	qty
Ref	102575	Axle Kit, 3" w/Out Ridge Pole for 41' - 48' Trailers (B1-102568 & B2-102549)	1
1	102034	Axle, Front Section for 3" Axle Kit (Full Length)	1
2	102292	Axle, 3" Center Section Axle Kit (Full Length)	3
3	102282	Rod, 101815 Steel Tarp Securing Rod cut to 77" W/ Swedge	1
4	102305	Rod, 101815 Steel Tarp Securing Rod cut to 88 3/4" No Swedge	1
5	101815	Steel Tubing, 1.125Dx16 ga x 12' Rnd Galv W/Swedge on end	3
6	37830	Clip, Tarp Clip w/ hardware for Side-to-Side Axle	13
7	37510	Guard, 12" Plastic Rub -Each-	2
8	37500	Guard, 6" Plastic Rub -Each-	2
9	102033	Bungee Cap, 3" Axle Cap with Screws	1
10	102038	Hardware, Shim Kit for 3" Side to Side Axle	1
11	36730	Bracket, Tarp Stop w/Bracket for Side-to-Side System	10
12	102554	Locking Lip, 61113 3" locking lip Cut to 15 7/8" Long	9

103712 Bow, Composite Bow with Mounting Brackets



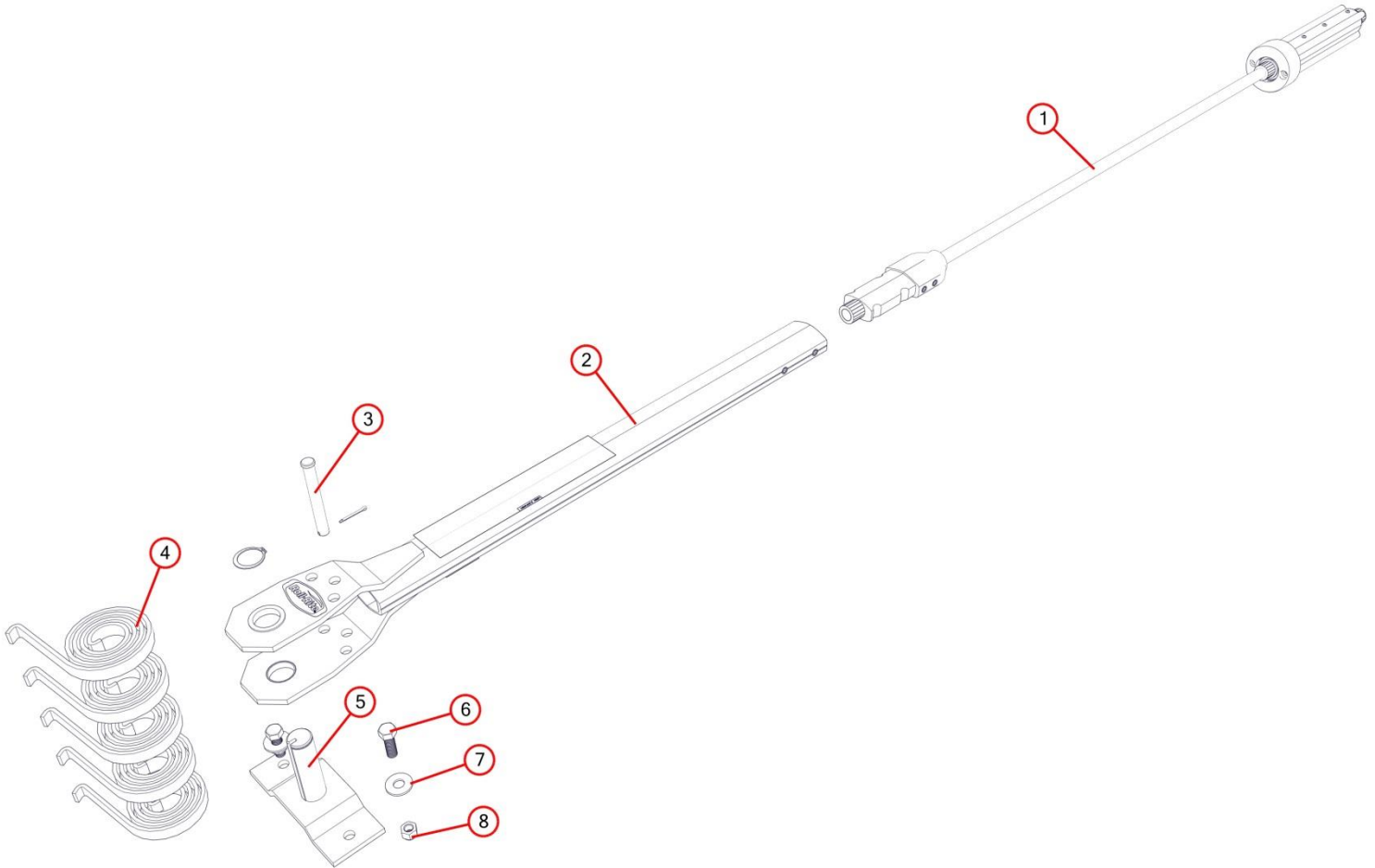
Bom ID	Part#	Description	qty
Ref	103712	Bow, Composite Bow with Mounting Brackets	1
1	103704	Bracket, Adjustable Socket Style Mount for Composite Bow	2
2	102924	Bow, Fiber Reinforced Flexible (U-Shape)	1

103810 Pivot, Assembled Front Arm for 103796 Power Kit Passenger Stowing



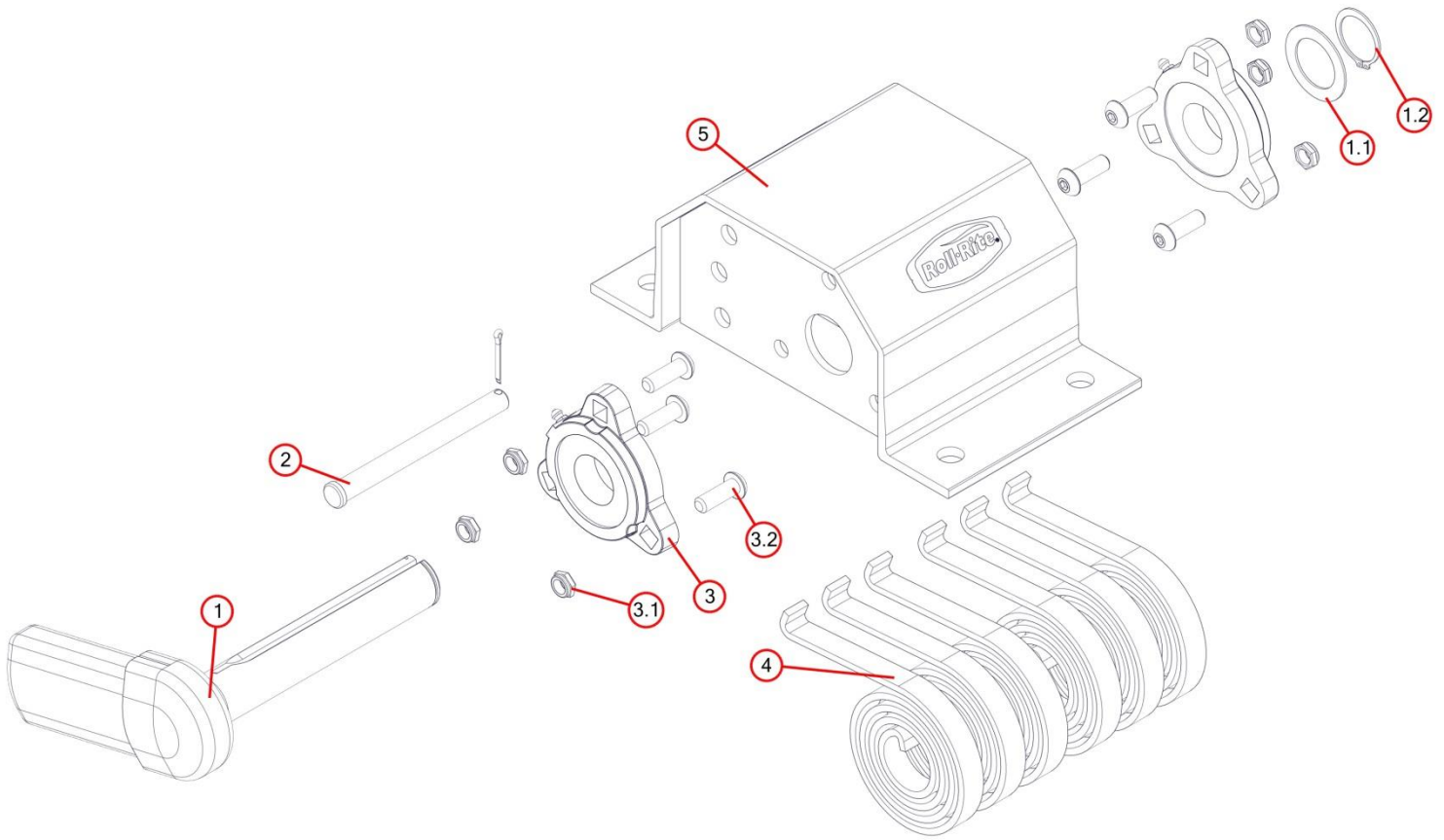
Bom ID	Part#	Description	qty
Ref	103810	Pivot, Assembled Front Arm for 103796 Power Kit Right Stowing	1
1	48891	Pivot Tube, Upper Pivot Tube for 37103 Power Kit 27" long upper	1
2	18510	Pin, 1/2" x 2-3/4" Clevis	1
3	47230	Spring, Spiral Torsion Spring 1 1/4	3
4	18560	Pin, 1/2 x 4 1/8 Special Clevis	1
5	46982	Pivot Tube, Base for 37103 Power Kit w/20" base	1
6	18631	Nut, 1/2" Nylock Nut	1
7	18412	Washer, 1/2" Flat Zinc	2
8	18295	Bolt, 1/2" x 1 1/2" Button Head Bolt	2
9	37570	Bushing, Axle Stabilizer for Standard Axle	2
10	47960	Bracket, 3 Sp Knuckle pin w/ stop plate for SS pvt, mtr end	2
11	103842	Wire, 185" Dual Conductor 8 ga Terminated w/Boots & Shrink tube	1

46506 Pivot, Assembly Rear Arm for Pass Stowing Sys w/3" Axle



Bom ID	Part#	Description	qty
Ref	46506	Pivot, Right Assembled 5-Spring 3" Axle Rear Flex Arm Kit	1
1	46516	Pivot, Cable Assembly 3" Axle Rear Flex Arm	1
2	48450	Pivot Tube, Base Arm for Flexible Rear Arm	1
3	18560	Pin, 1/2 x 4 1/8 Special Clevis	1
4	47230	Spring, Spiral Torsion Spring 1 1/4	5
5	45350	Pivot Pin, 5-Spring	1
6	18296	Bolt, 1/2" x 1 1/2" Hex Head Bolt	2
7	18412	Washer, 1/2" Flat Zinc	2
8	18631	Nut, 1/2" Nylock Nut	2

46480 Pivot, Assb. 6-spr Top mnt pvt w/o Tube-Pass



Bom ID	Part#	Description	qty
Ref	46480	Pivot, Assembly. 6-spr Top mnt pvt w/o Tube-Right	1
1	46360	Pivot Pin, for 5 & 6-Spring Roller Bearing - DRV	1
1.1	47010	Bushing, Pivot 1 1/4 Machinery Bushing for Pivot Pin	1
1.2	47000	Snap Ring, 1 1/4" External for Pivot Pin	1
2	18540	Pin, 1/2" x 5-1/4" Clevis	1
3	47800	Bearing, Carrier Underbody Flanged	2
3.1	18628	Nut, Nylock nut 3/8" Jamb Nut	3
3.2	18242	Bolt, 3/8"-16 x 1 1/8" Button Head	3
4	47230	Spring, Spiral Torsion Spring 1 1/4	6
5	46400	Bracket, for 6-Spring Top Mount Pivots-each	1